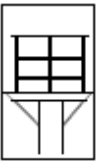


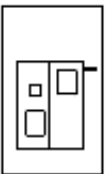
**Bollards**

**Mooring rope containers**



**Compass platforms**

**Oil tanks**



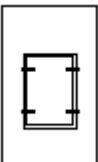
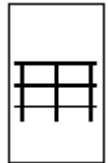
**Housings**

**Platforms/foundations/  
Supports**



**Gangways**

**Railings**



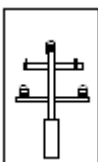
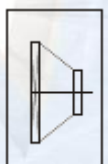
**Louvres/hatches**

**Stairs**



**Ladders**

**Rope guards**

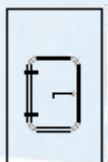


**Masts**

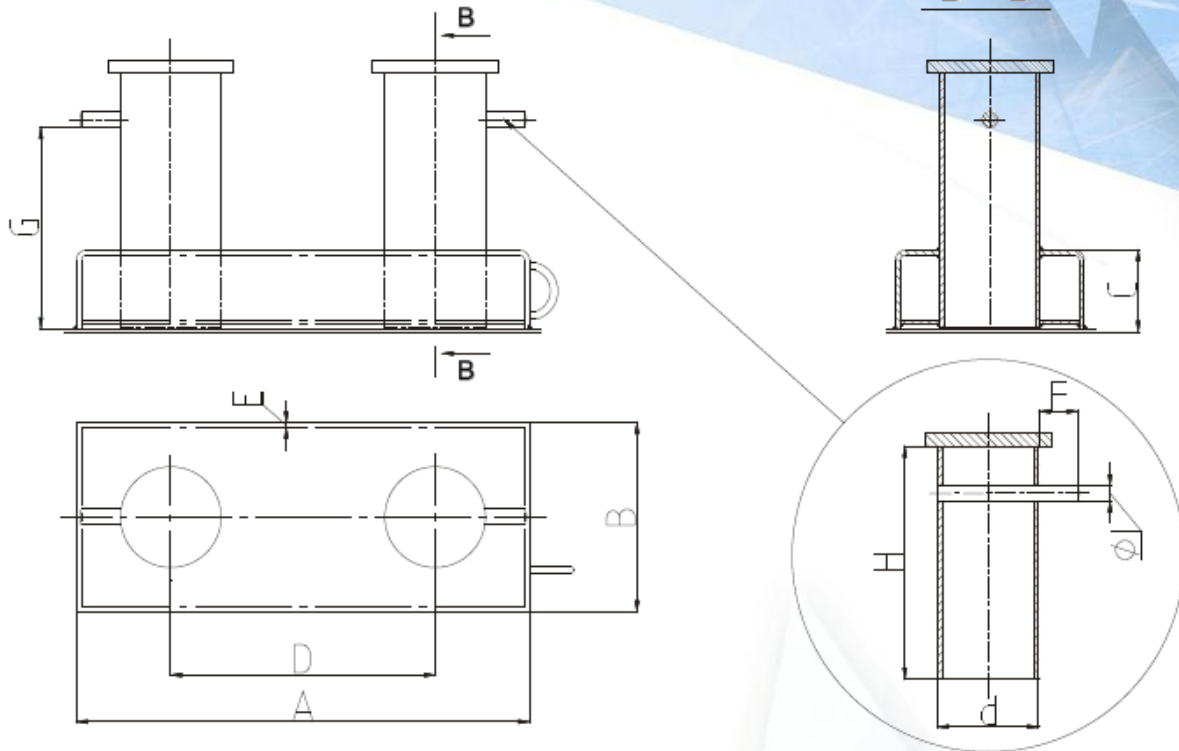
**Ventilation bends and cowls**



**Watertight doors**



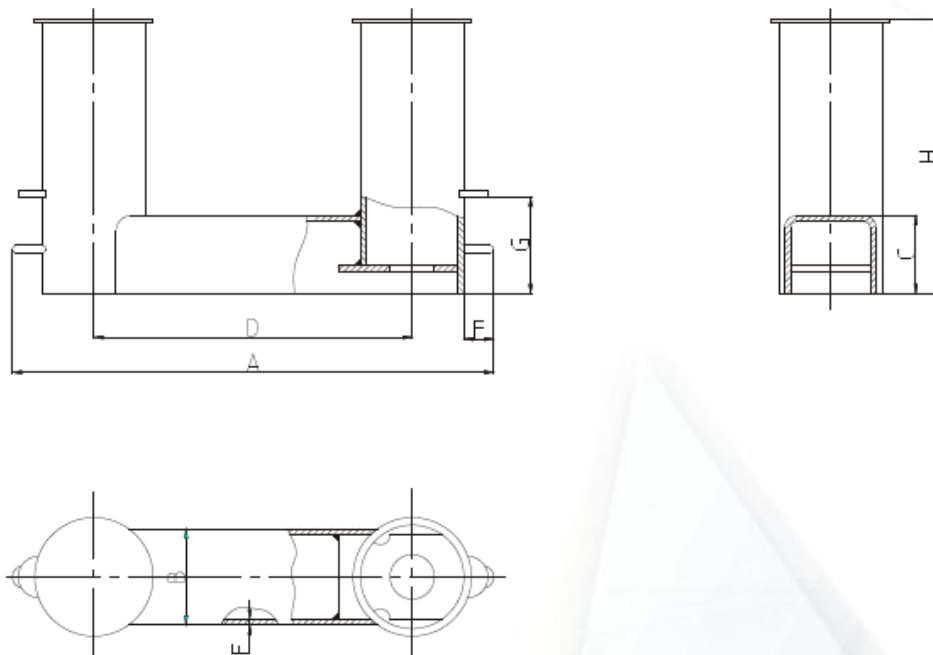
„ISO type”



Type ISO	Pipe dimensions ( d x S )	A	B	C	D	E	F	G	H	I	J
1	168x6,3	720	300	125	420	8	65	270	370	25	200
2	193,7x8	830	350	145	480	9	75	310	425	30	250
3	219,1x10	940	395	160	550	10	85	350	485	35	300
4	273x11	1170	490	180	680	12	110	440	600	40	325
5	323,9x12,5	1390	585	200	810	12	130	520	715	50	400
6	355,6x17,5	1530	640	210	880	14	140	565	780	55	425
7	406,2x20	1750	730	220	1010	16	160	650	890	60	500
8	457x22,2	1960	820	240	1140	16	180	730	1000	70	525
9	508x17,5	2917	1220	250	1900	14	200	980	1340	80	600

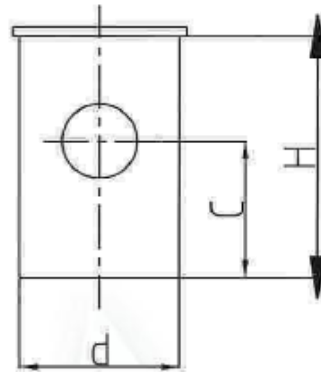
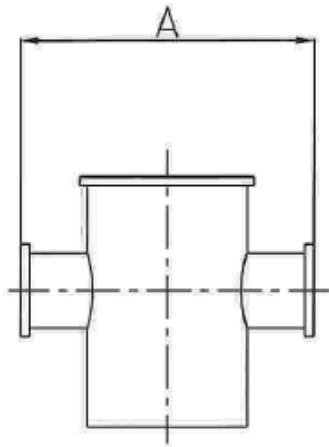
Finishing: shotblasted, one layer of shop primer

„DIN type”



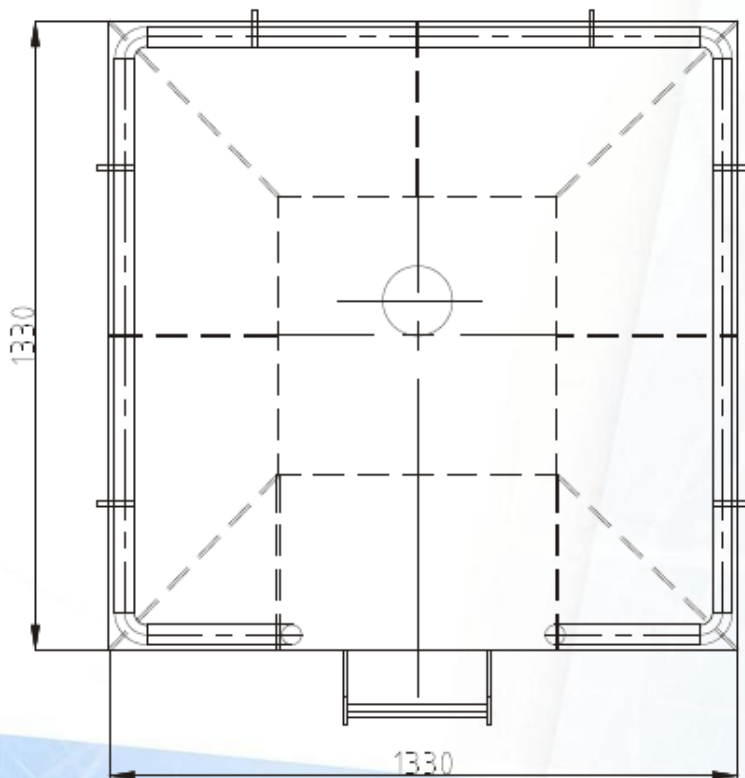
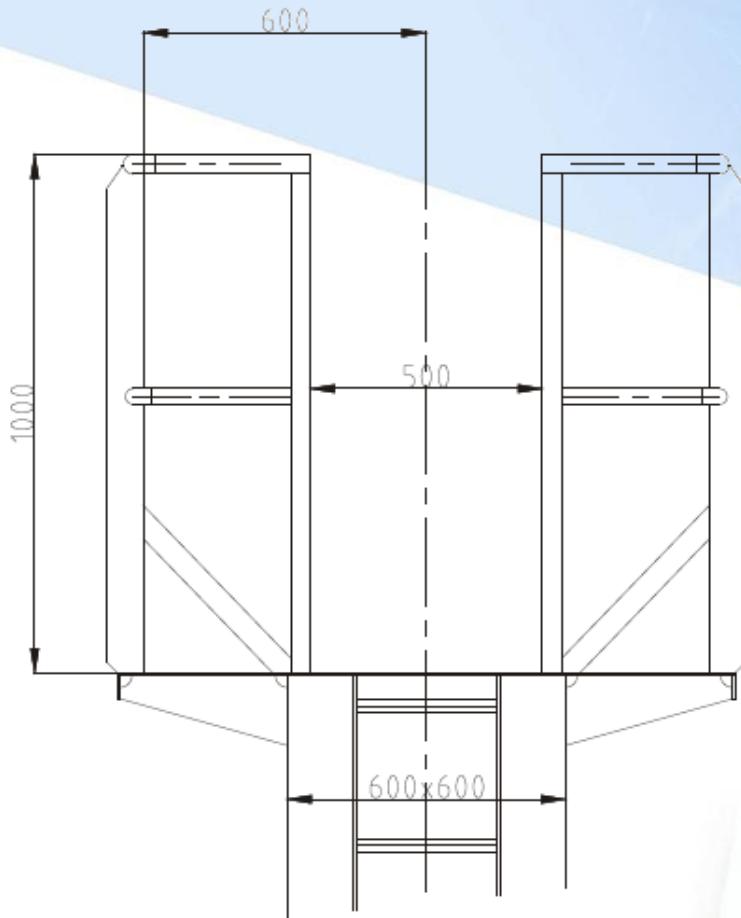
Type DIN	Pipe dimensions ( d x S	A	B	C	D	E	F	G	H	I	J
1	168x6,3	730	180	95	430	6	65	150	420	25	200
2	193,7x8	825	210	110	500	6	65	160	450	30	250
3	219,1x10	950	230	120	580	8	75	170	520	35	300
4	273x11	1123	300	135	700	8	75	180	650	40	325
5	323,9x12,5	1360	330	155	880	9	80	220	720	50	400
6	355,6x17,5	1570	360	175	1050	10	80	250	770	55	425
7	406,2x20	1800	420	190	1150	12	120	270	870	60	500
8	457x22,2	1970	460	210	1250	14	130	320	980	70	525
9	508x17,5	2058	545	230	1350	16	100	345	970	80	600

single type



Type	Pipe dimensions ( $\phi d \times S$ )	A	C	H
1	168x6,3	300	180	420
2	193,7x8	350	210	450
3	219,1x10	395	230	520
4	273x11	490	300	650
5	323,9x12,5	585	330	720
6	355,6x17,5	640	360	770
7	406,2x20	730	420	870
8	457x22,2	820	460	980
9	508x17,5	930	545	970

Finishing: shotblasted, one layer of shop primer

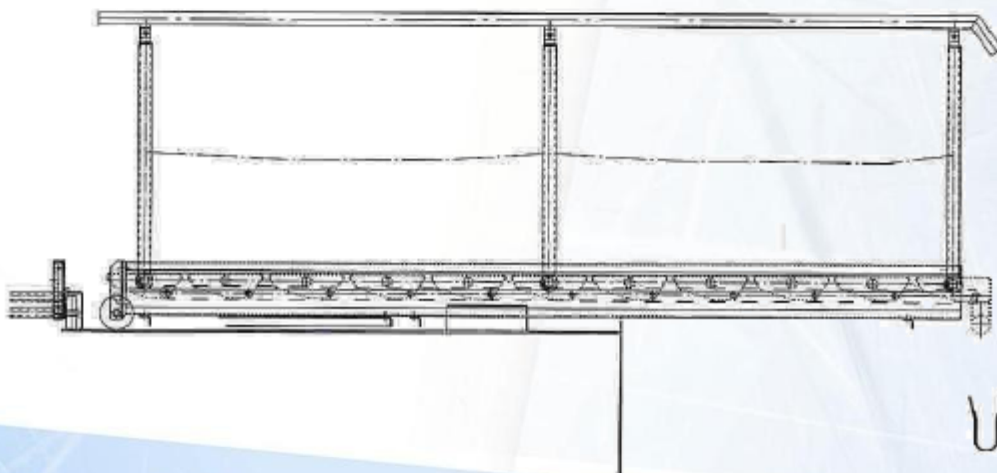
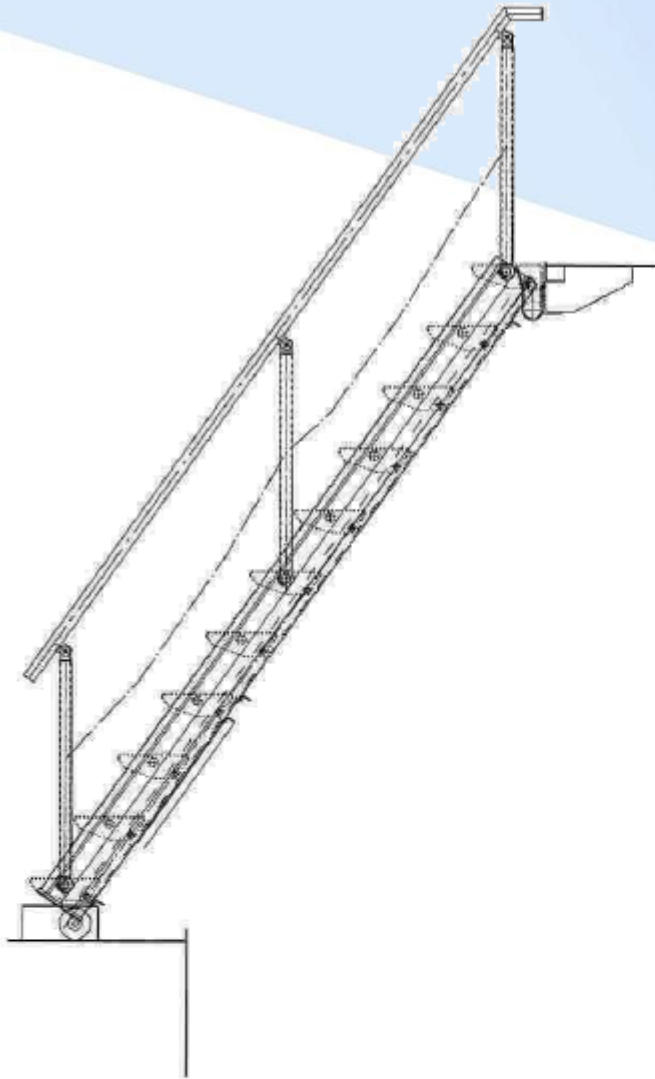


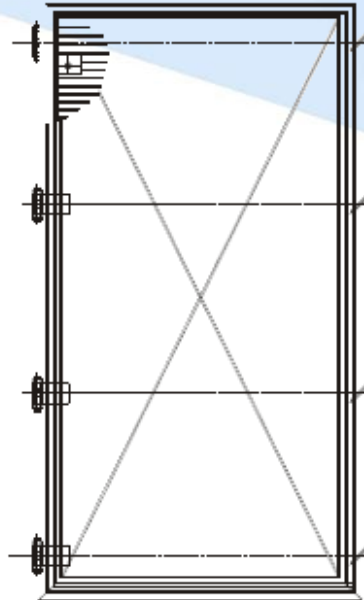
Mater: SS 316L  
Finishing: upon request



ZMC manufacture housings upon customers request and specification



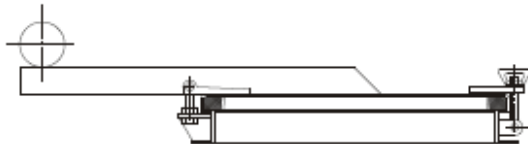
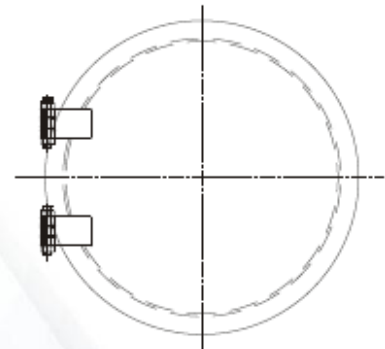




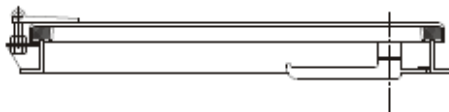
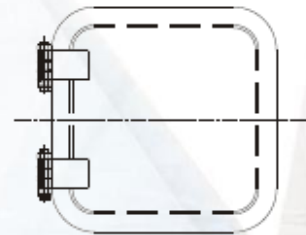
louvers



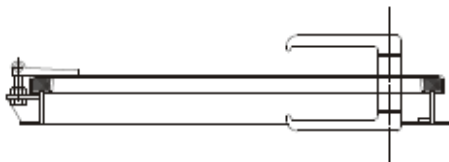
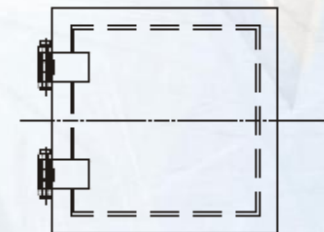
round

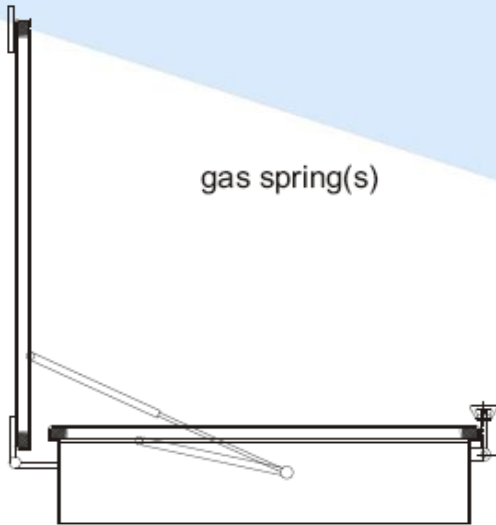


radius corners



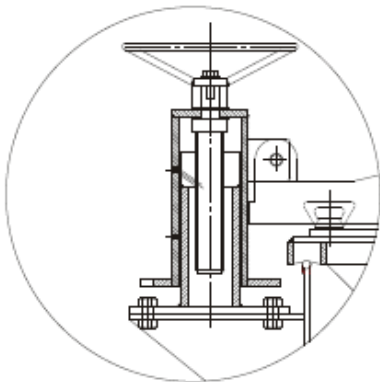
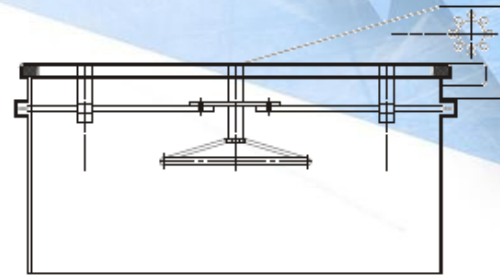
square corners



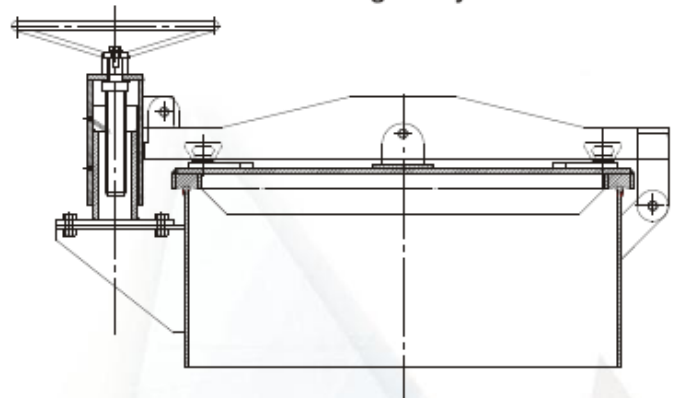


gas spring(s)

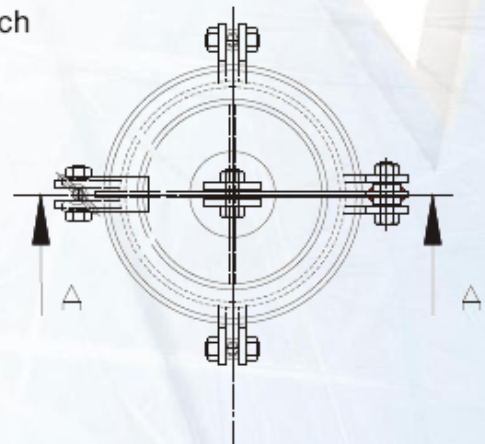
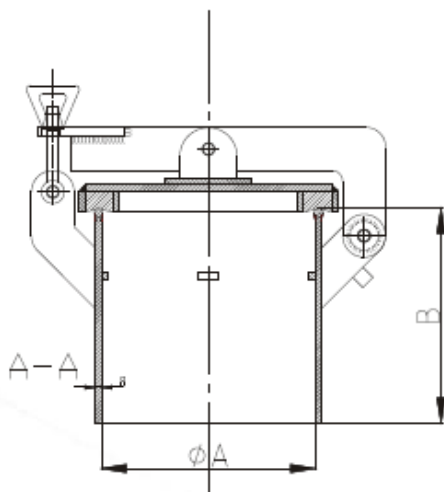
springloaded hinges



swing-away hatch

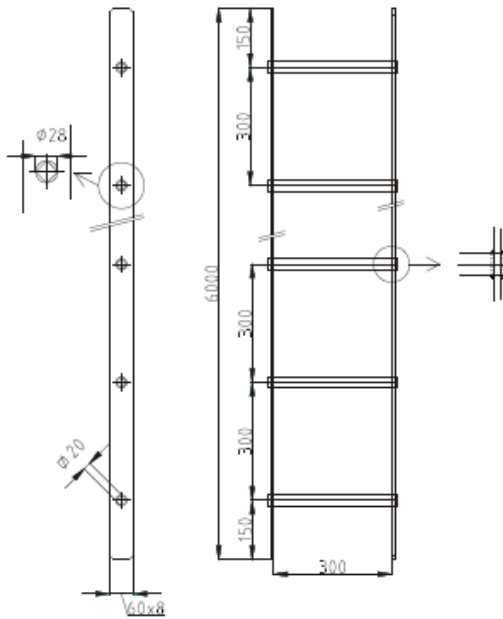


tank cleaning hatch

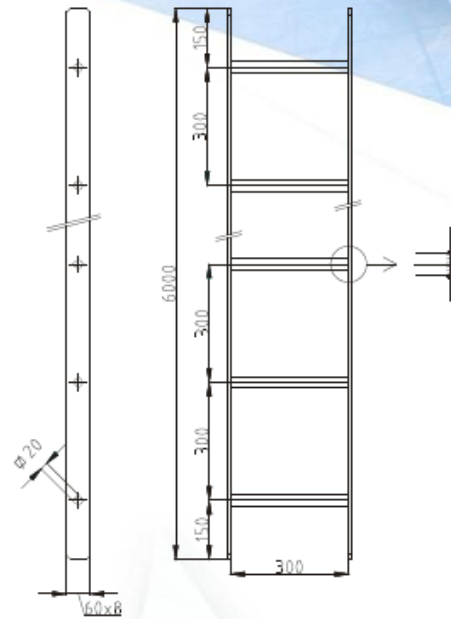


Material(s): steel, stainless steel, aluminium  
Finishing: upon request

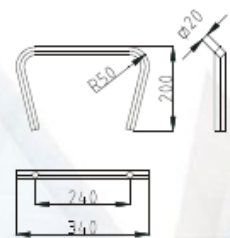
Type I



Type II



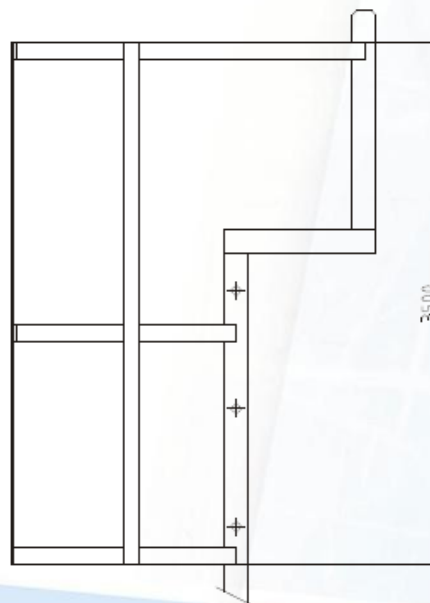
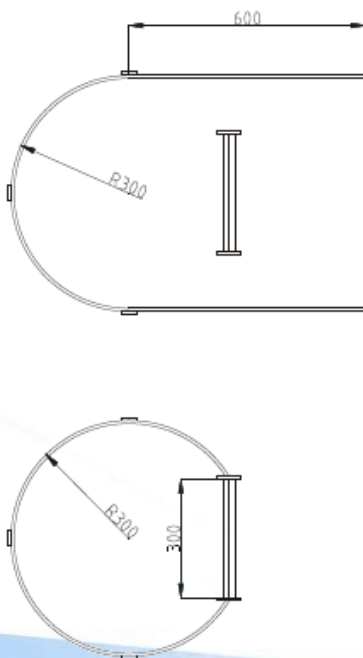
Step



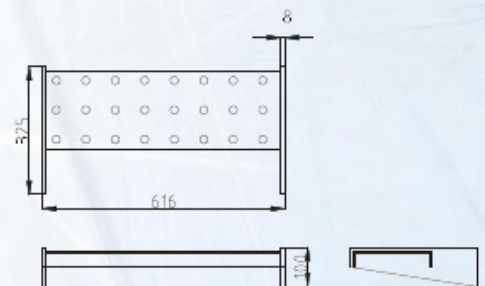
Finishing: galvanized

Finishing: upon request shotblasted, one layer of shop primer, hotdip galvanized

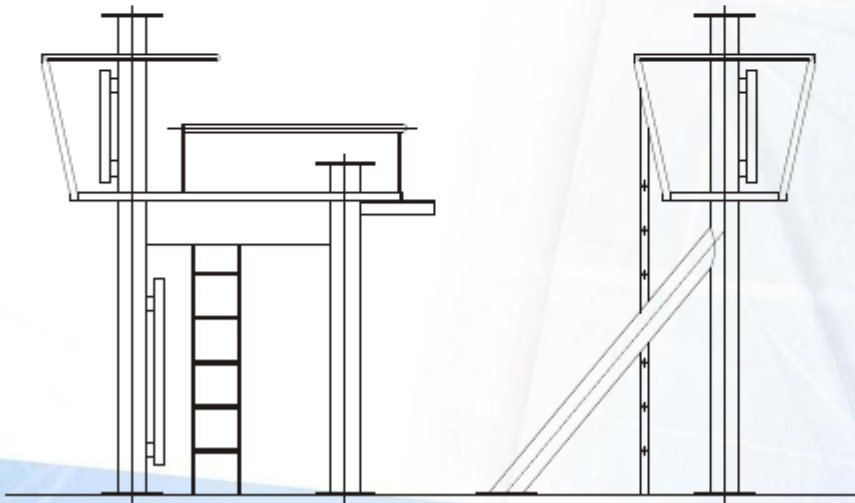
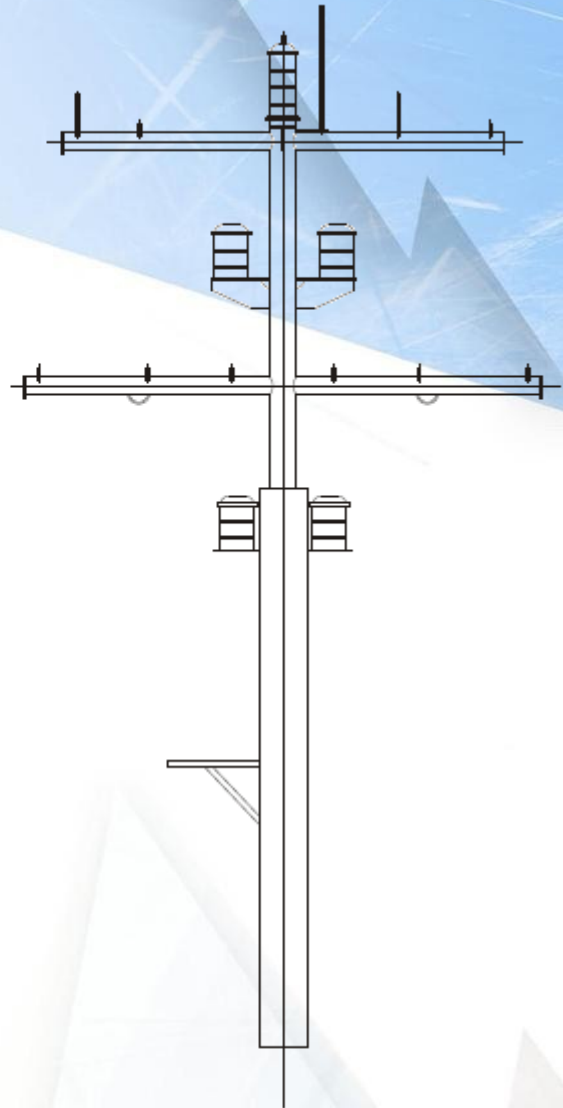
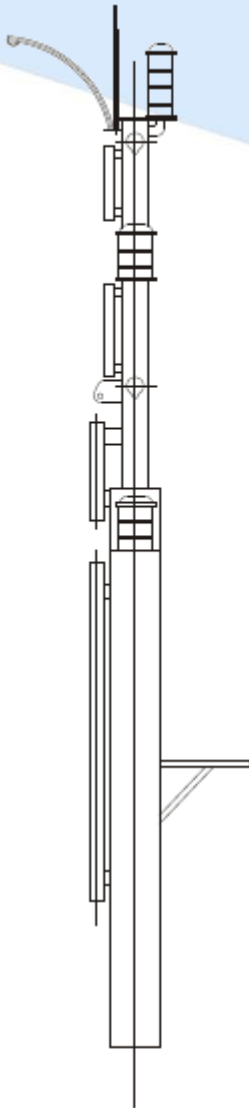
Safety cage



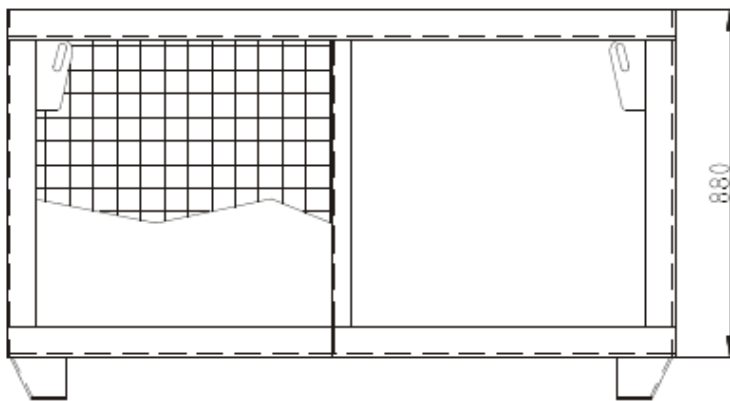
Doorstep



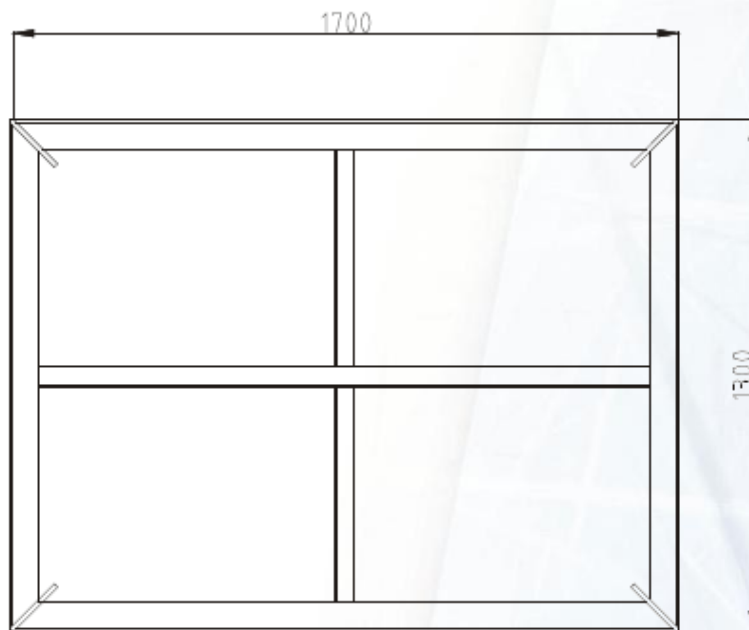
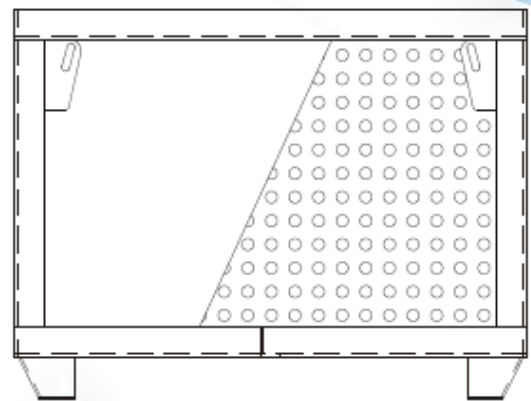
## MASTS

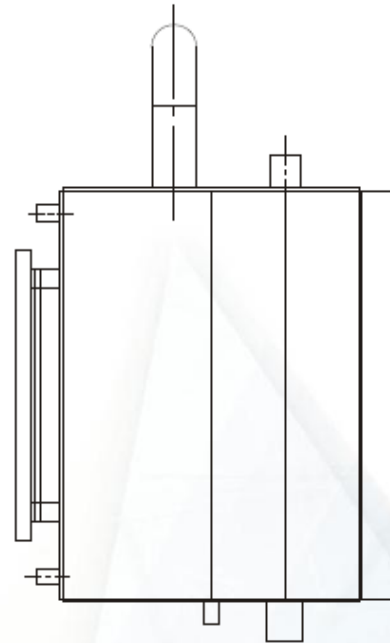
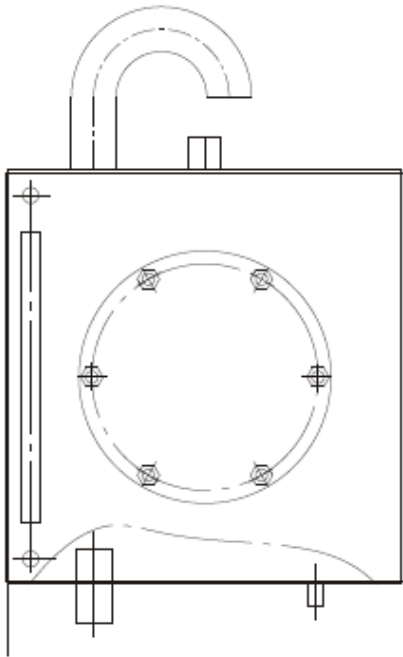
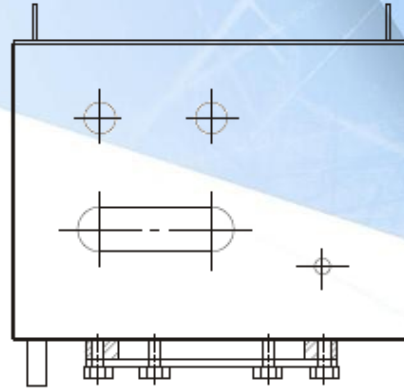
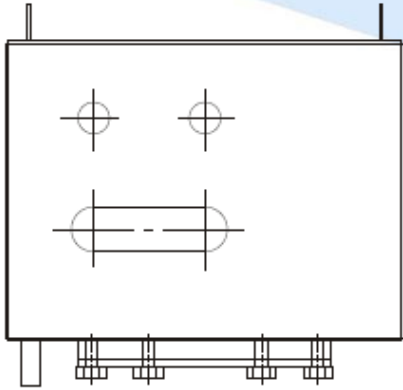


type BMP-G

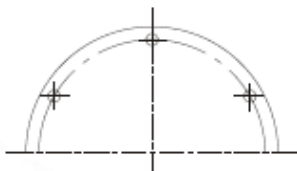


type BMP-P

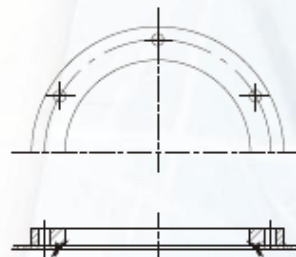




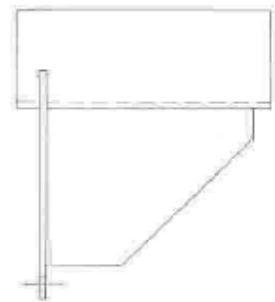
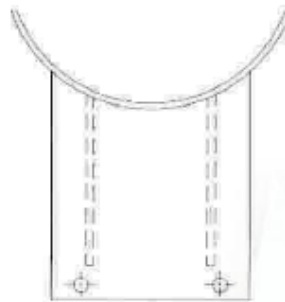
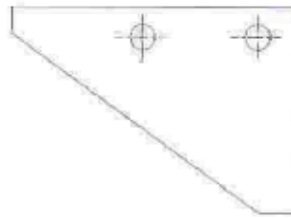
**cover detail**



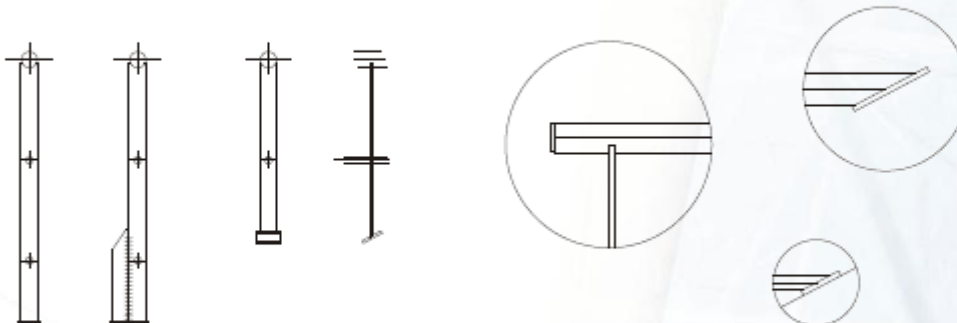
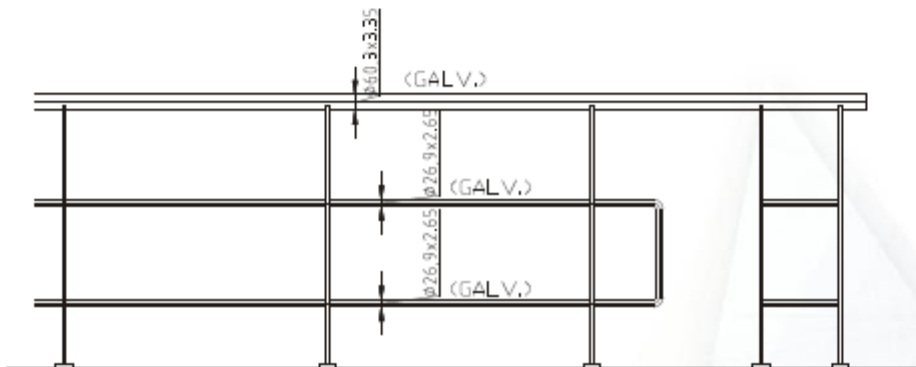
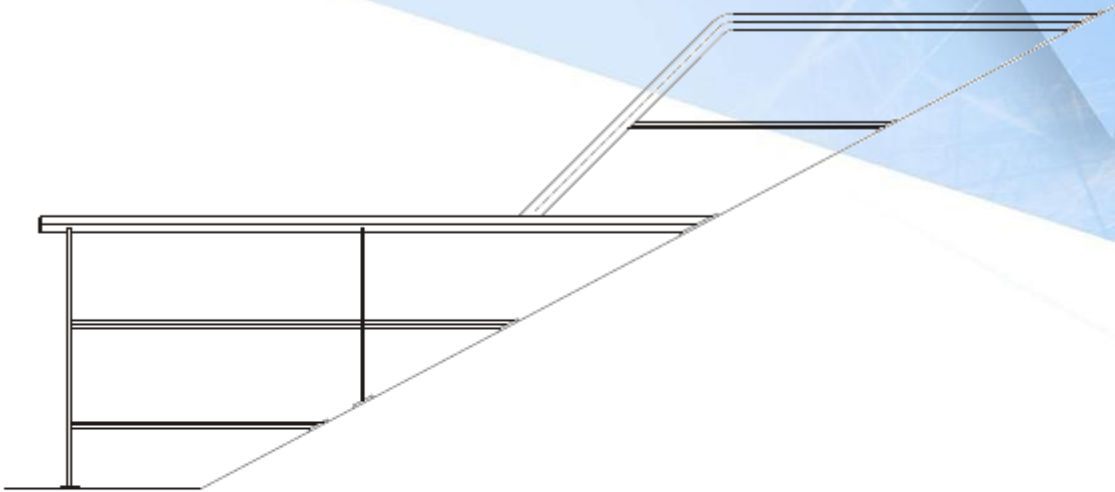
**flange detail**



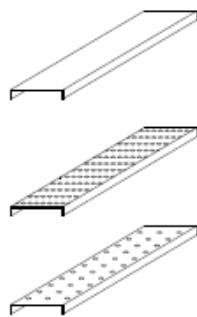
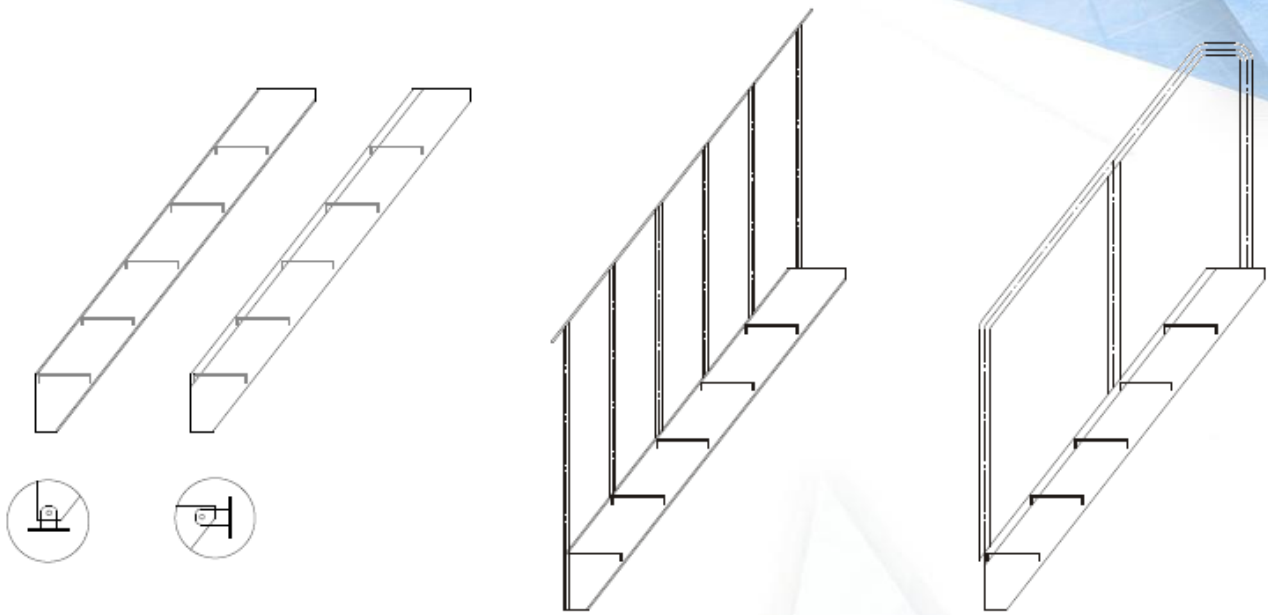
Finishing: \* inside - pickled,  
\* outside- shotblasted, one layer of shop primer



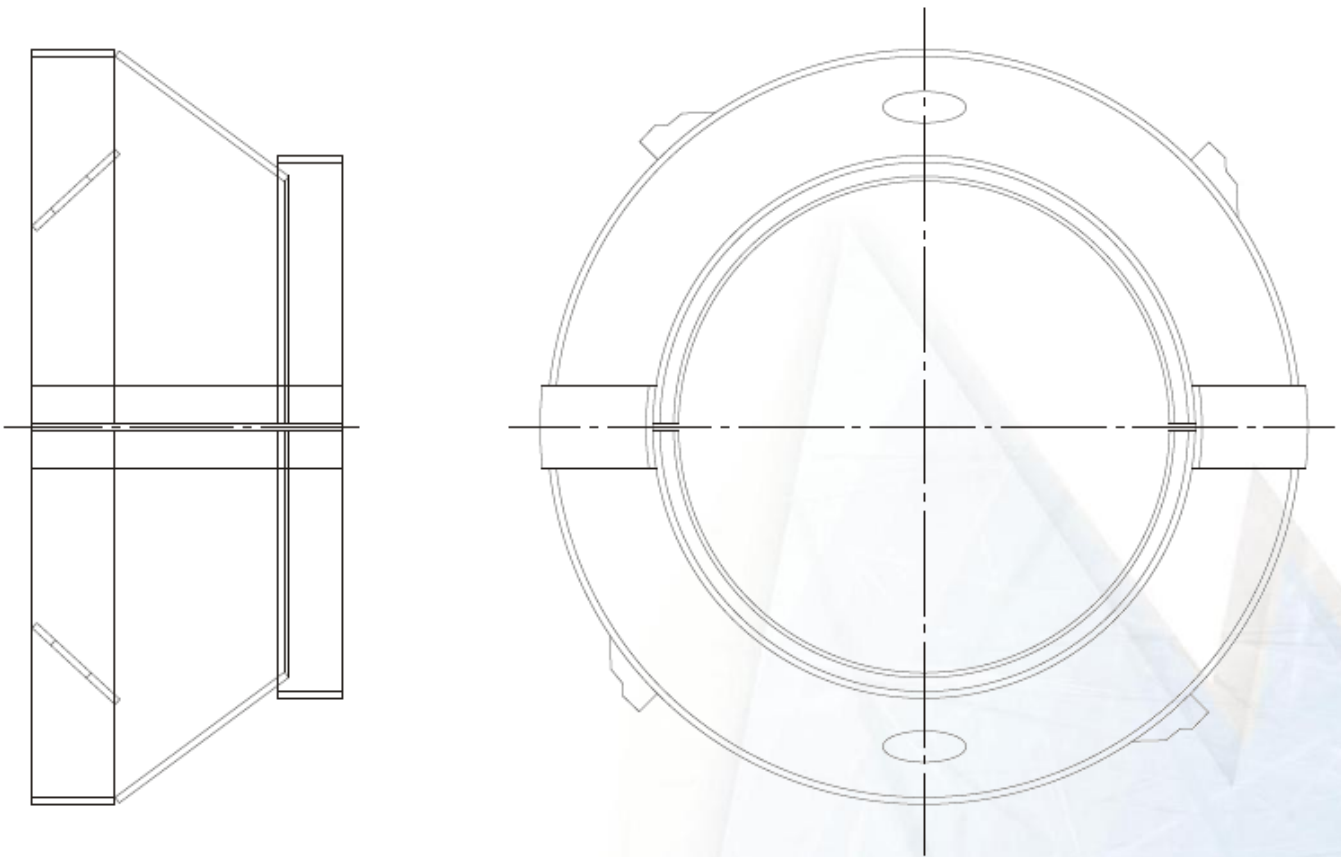
Finishing: upon request: shotblasted, one layer of shop primer, hotdip galvanized



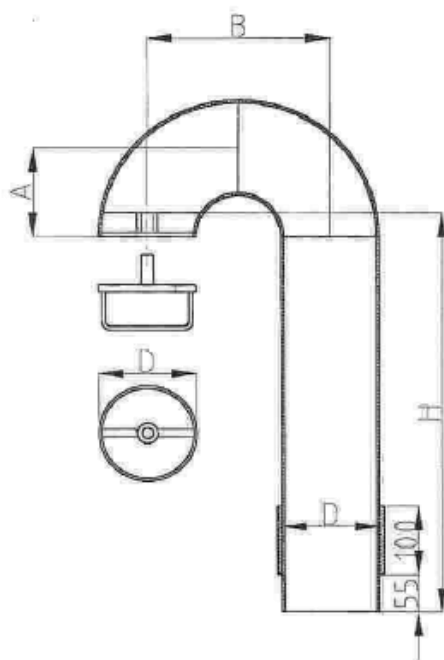
Finishing:  
scepters: shotblasted, one layer of shop primer,  
Railing pipes: galvanized



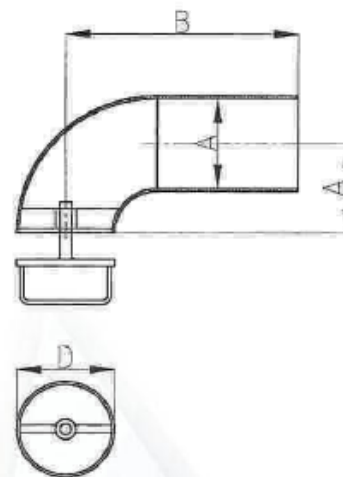
Finishing: upon request: shotblasted, one layer of shop primer, hotdip galvanized



type A,

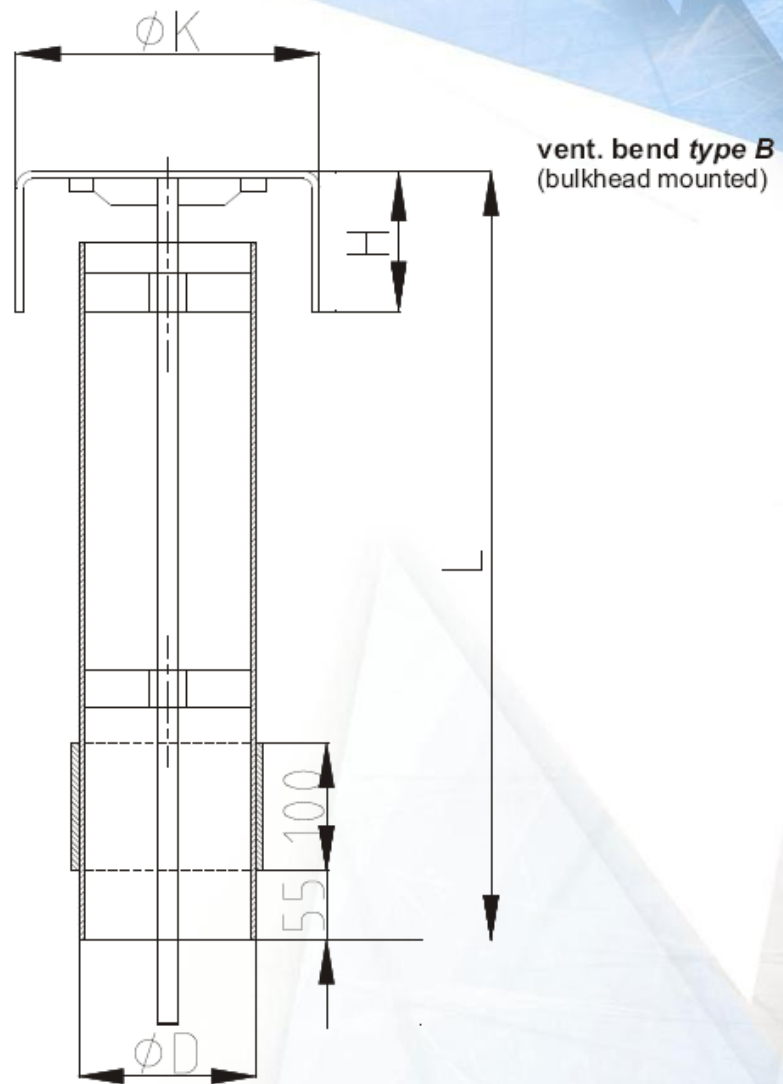


type A,

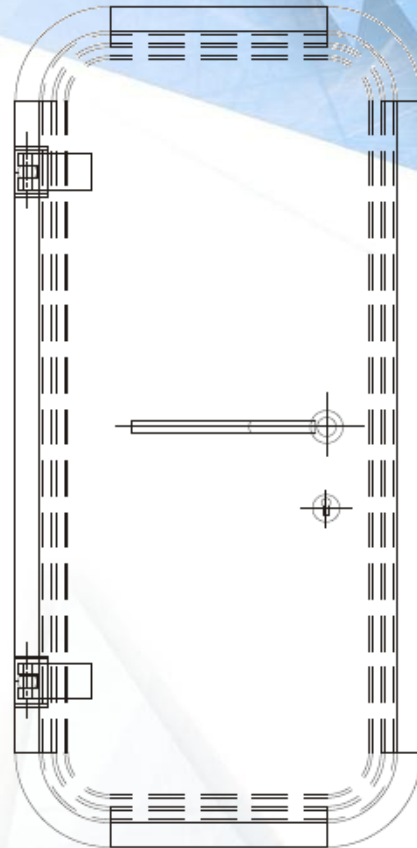
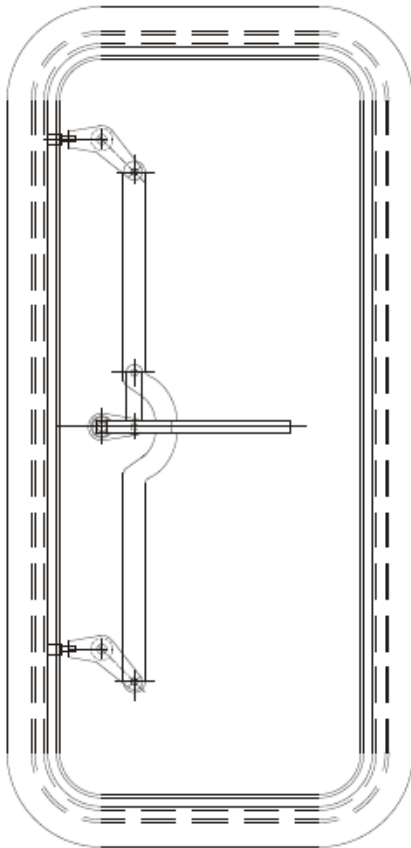


Type	D	A	B	H	Area [cm <sup>2</sup> ]
ND100	114,3x4,5	135	235	800	88
ND125	139,7x5,6	145	290	800	130
ND150	168,3x4,5	155	300	800	176
ND175	193,7x5,6	170	350	800	250
ND200	219,1x5	185	400	800	339
ND250	273x6,3	210	520	800	502
ND300	323,9x8	235	640	800	716
ND350	355,6x8	260	730	800	973
ND400	406x8,8	285	840	800	1288
ND450	457x10	310	900	800	1527

Finishing: shotblasted, one layer of shop primer



Type	D	K	H	L	Area [cm <sup>2</sup> ]
150	168x6	244x6	120	1050	162
175	193x6	298x6	150	1050	230
200	219x6	323x6	160	1050	307
250	273x6	406x6	200	1050	506
300	323x6	457x6	225	1050	735
350	368x6	558x6	250	1050	965



**Standard sizes (clear opening) in mm**

<b>height</b>	<b>1350</b>	<b>1500</b>	<b>1650</b>	<b>1750</b>	<b>1850</b>
<b>width</b>	600	600	600	600	600
	700	700	700	700	700
	800	800	800	800	800
					850
other dimensions on request					

Finishing: shotblasted, one layer of shop primer